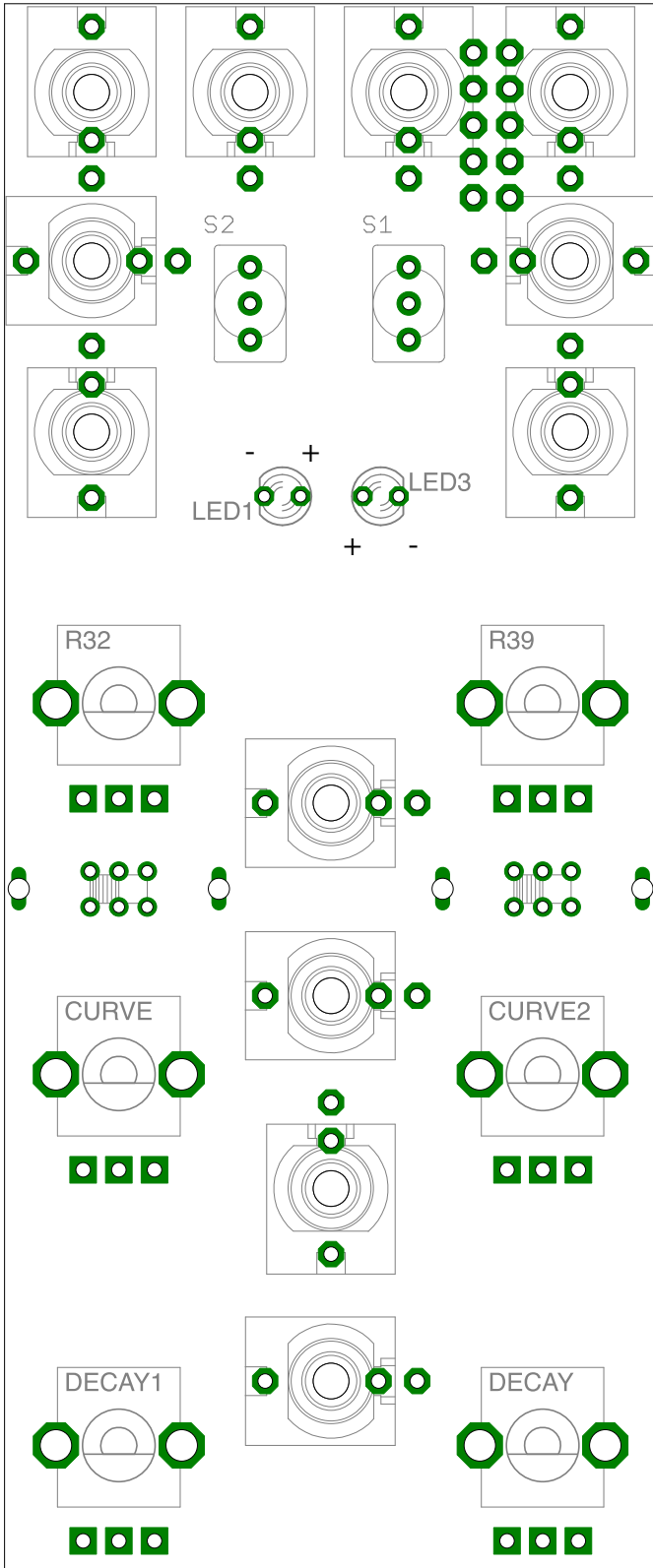


EASY GRADE ●



IMPORTANT: TO BUILD THIS MODULE REFER TO OUR ONLINE MANUAL
www.patchingpanda.com

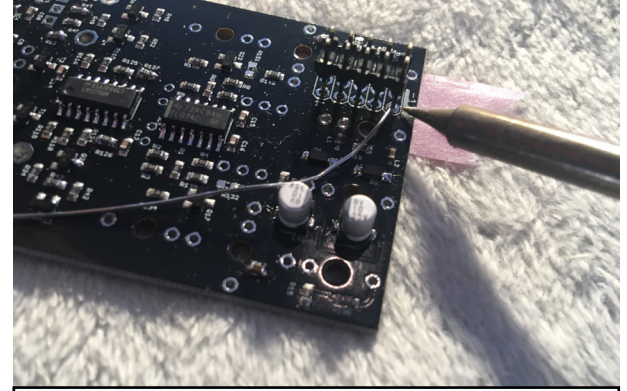


Qty	Parts
2	PURPLE LED
12	PJ301_THONKICONN6
6	100kb pots
12	washers
6	knobs
6	special pot round nuts
2	submini-2T
2	sliding switches
1	M05X2PTH
1	Power Cable

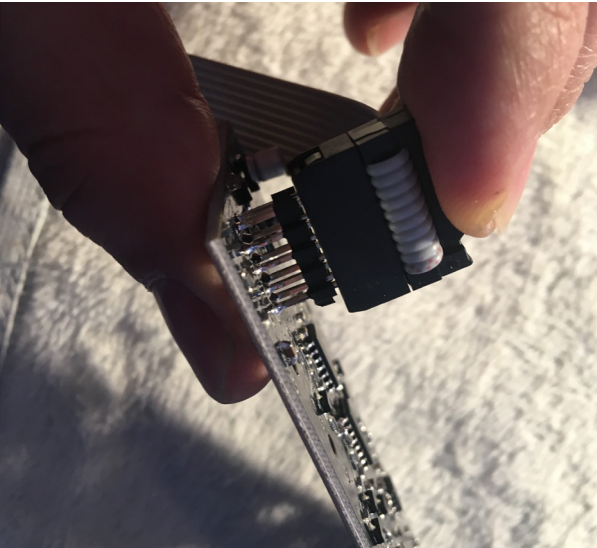
SOLDERING THE POWER CONNECTOR



1. Put some tape on front side of the pcb.



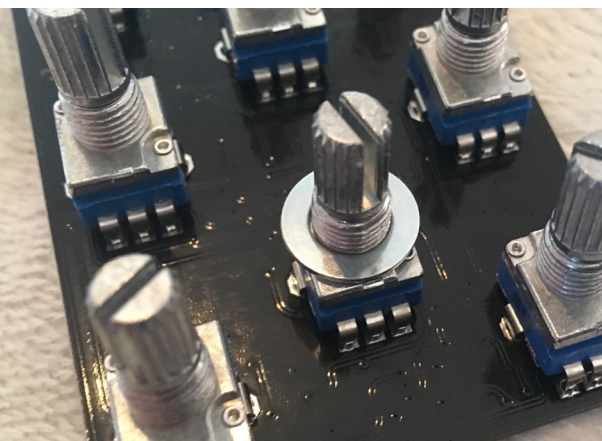
2. Insert the male header pins with the longest part upside down and solder.



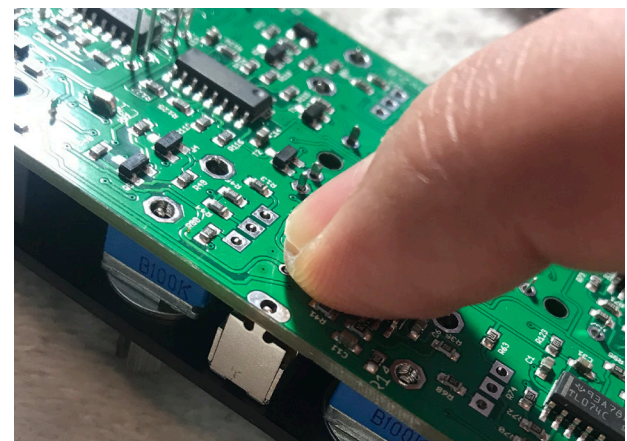
3. Connect the ribbon cable and push down.



3. Remove the anti-rotation tag.



5. Place potentiometers and jacks on the board but don't solder them. Put 2 washers per pot, place the front panel and screw it.



5. Press down the sliding switch, solder 1 pin and make sure is centered. Finish soldering the mounting hardware