

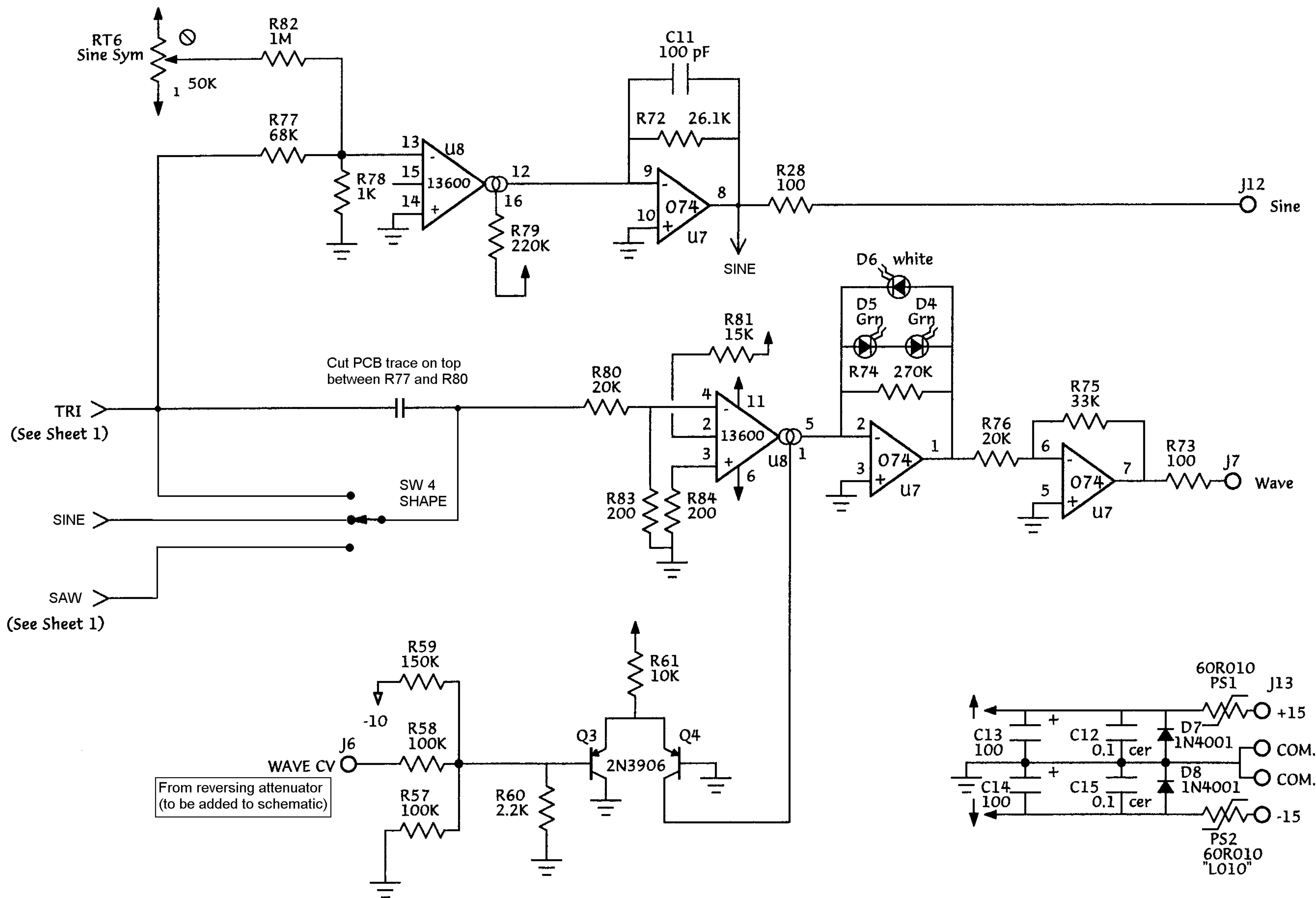
Main Schematic
 Bypass caps: C3,4,7,8- not shown.

Blacet Research Music Electronics	
VCO2100	10-20-01
Rev 1.0 - Larry Hendry 5/31/02	
Sheet 1 of 2	

This document is the property of Blacet Research and contains confidential and trade secret information of Blacet Research. Neither this document nor the information it contains may be used by or disclosed to persons not having a need consistent with the following:

1. The original and subsequent module owners.
2. Qualified technicians repairing this module.

Permission is granted to the module owner to make one backup copy, either via conventional or electronic means. All such copies must be transferred to subsequent owners of the module. No reproduction of this document may involve Internet accessibility.



12-28-01

This document is the property of Blacet Research and contains confidential and trade secret information of Blacet Research. Neither this document nor the information it contains may be used by or disclosed to persons not having a need consistent with the following:

1. The original and subsequent module owners.
2. Qualified technicians repairing this module.

Permission is granted to the module owner to make one backup copy, either via conventional or electronic means. All such copies must be transferred to subsequent owners of the module. No reproduction of this document may involve Internet accessibility.

VC Wave and Sine Wave Shapers. Power Entry

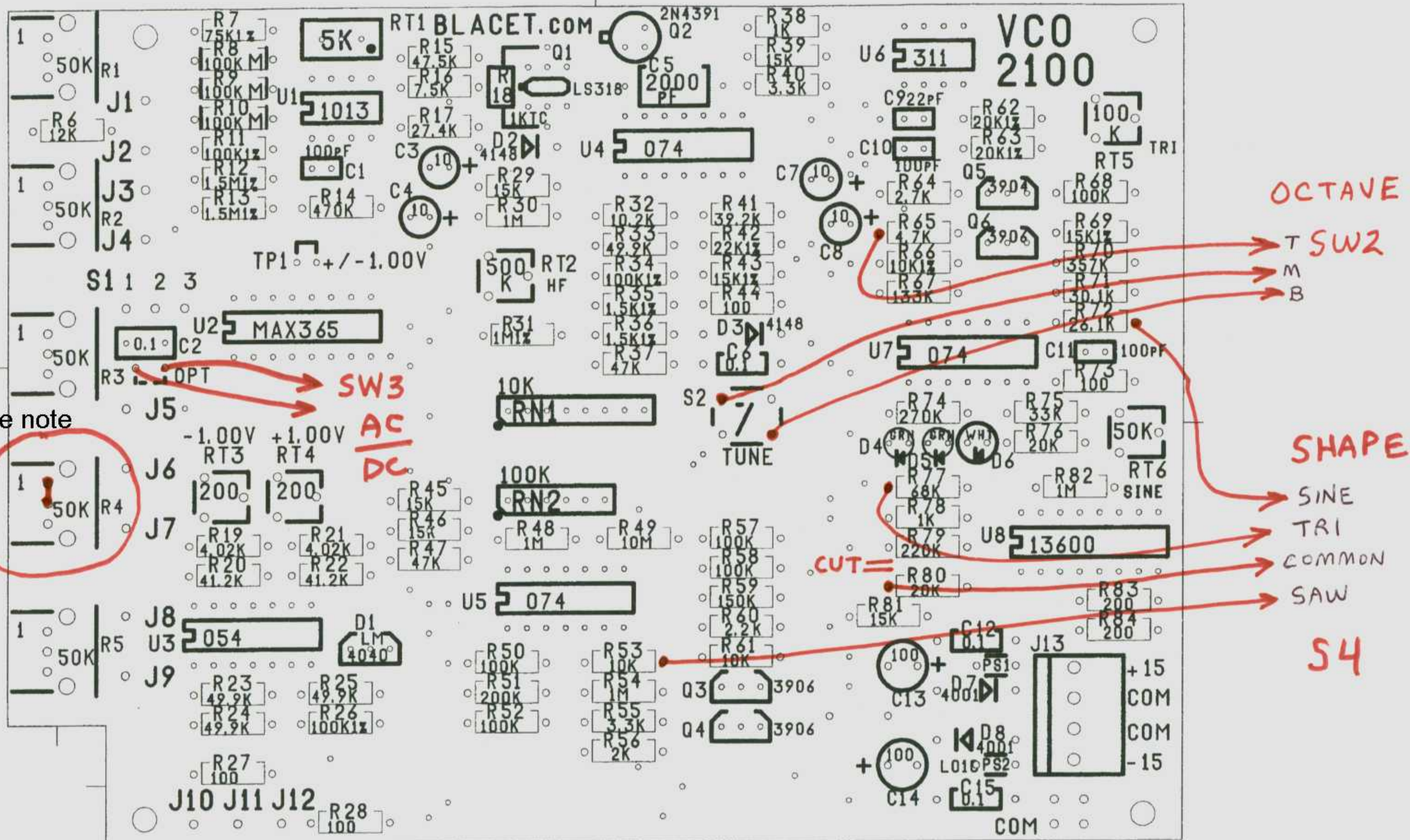
Blacet Research Music Electronics

VCO2100

10-20-01

Rev 1.0 - Larry Hendry 5/31/02

Page 2 of 2



ALL COMPONENTS MOUNTED ON COMPONENT SIDE.
 R18 MOUNTED ON TOP OF Q1 WITH CONDUCTIVE THERMAL GREASE.
 NOTE R8 9 10 ARE MATCHED.

At PCB position R4, jumper pins 1 and 2.
 Leave pin 3 not connected. R4 is replaced
 with new reversing pot connected to new
 add-on PCB for Wave CV input