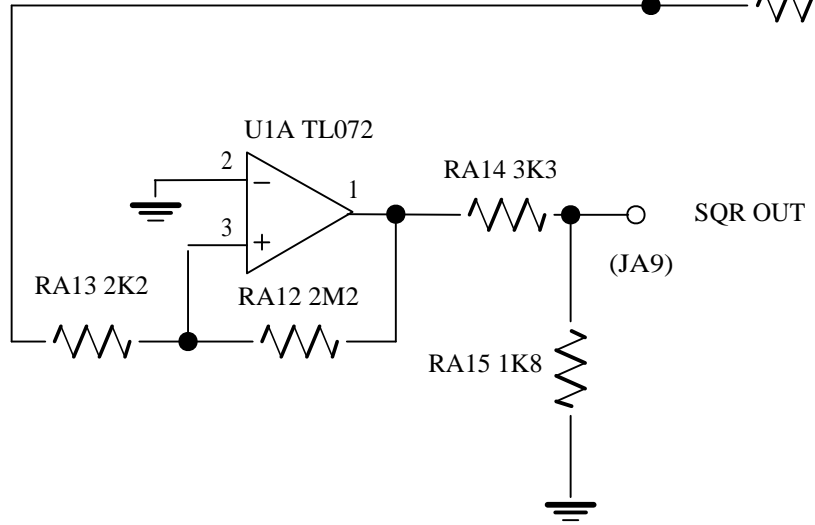


XR-2206 Buffer
 on Tellun MUUB-2 PCB
 February 2011
 Richard Brewster



POWER

