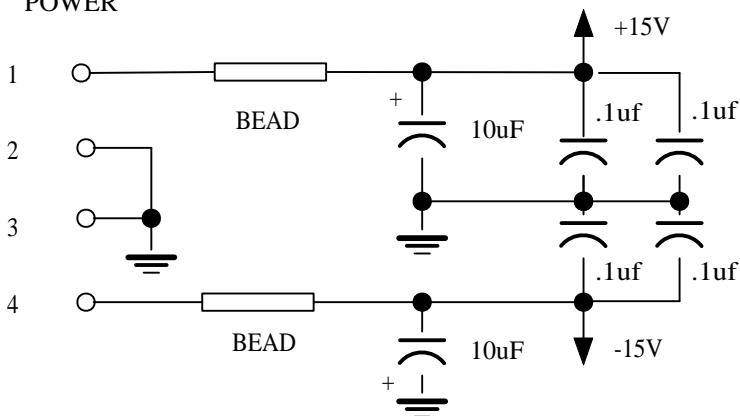


POWER



Matrix Mixer
on Tellur MUUB-4 PCB
April 2007
Richard Brewster